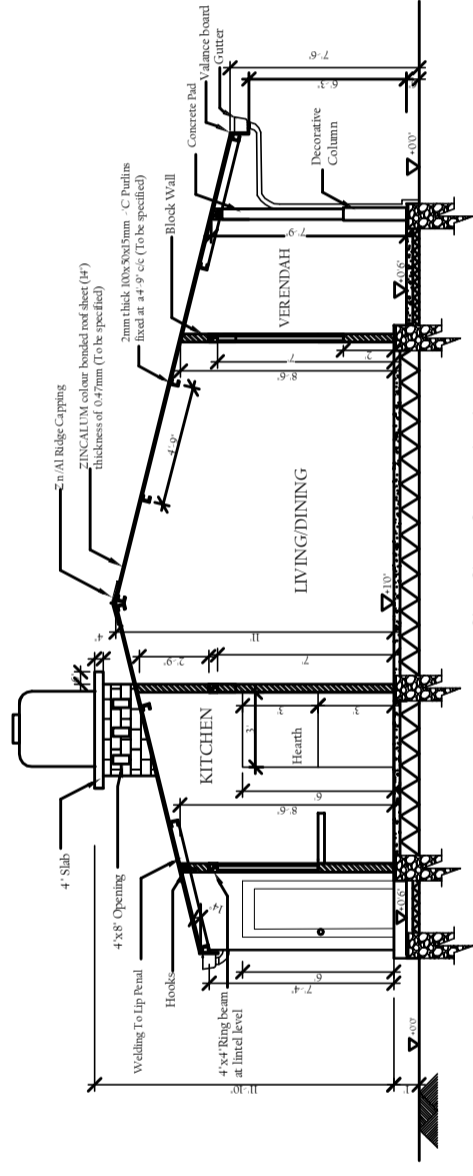


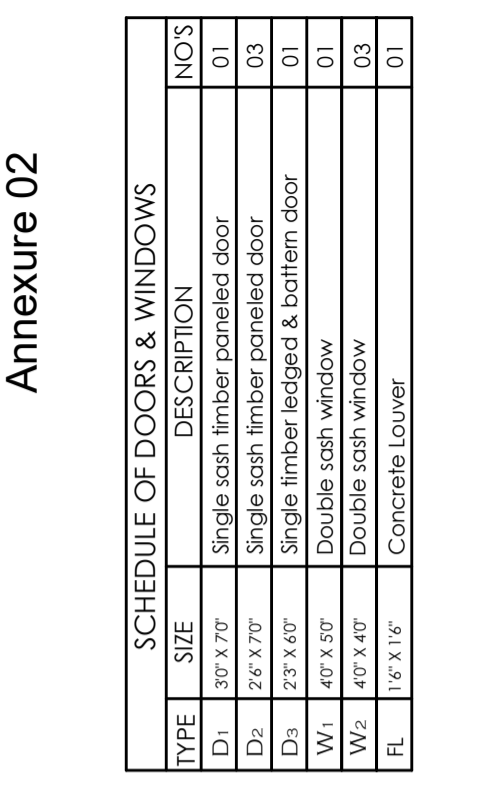
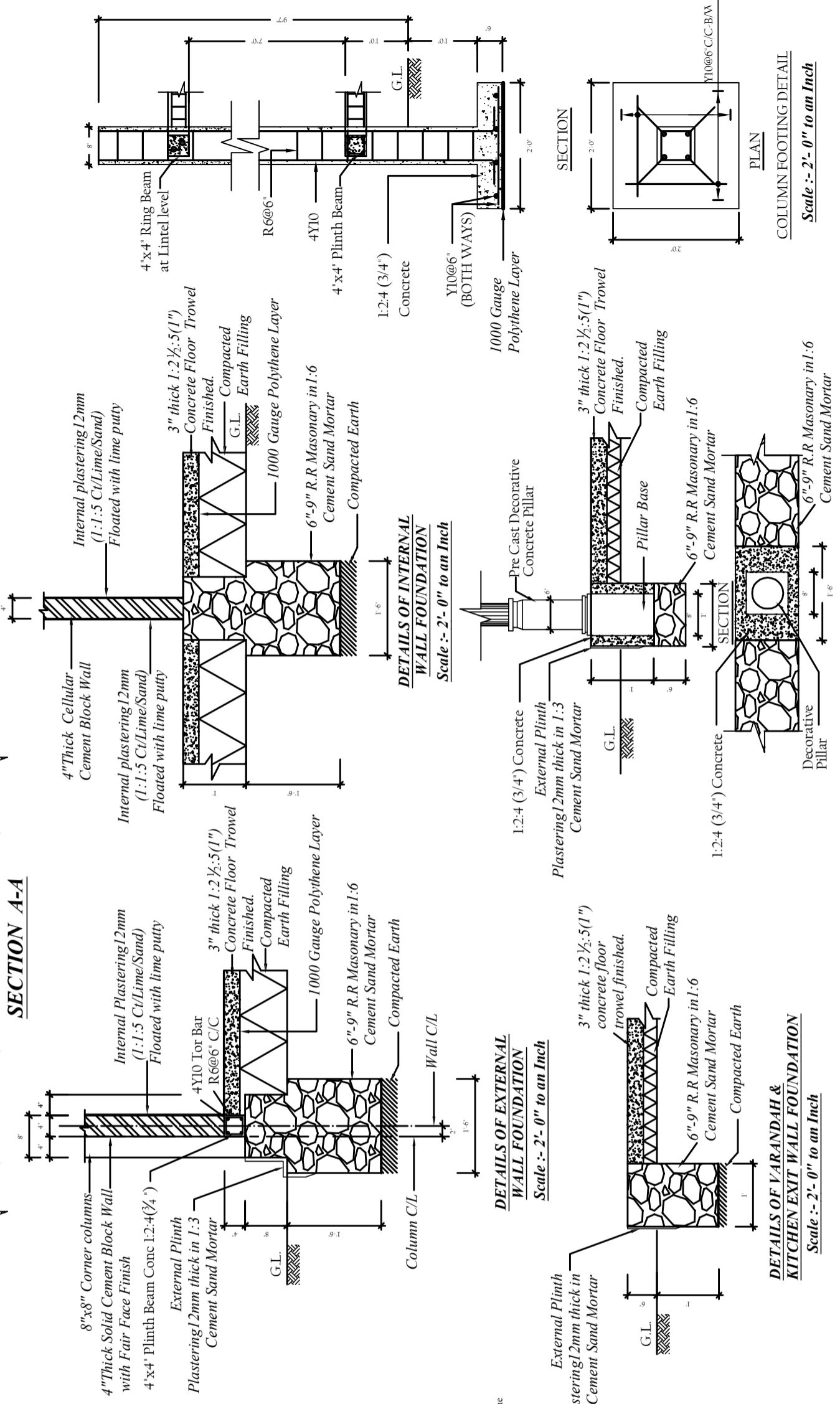
SCHEDULE OF DOORS & WINDOWS		
TYPE	SIZE	NOS
D1	3'0" X 7'0"	01
D2	2'6" X 7'0"	03
D3	2'3" X 6'0"	01
W1	4'0" X 5'0"	01
W2	4'0" X 4'0"	03
FL	1'6" X 1'6"	01



FRONT ELEVATION



SECTION A-A



GROUND FLOOR PLAN

Scale :- 8'-0" to an Inch



TYPE PLAN PH-II : PROPOSED HOUSE PLAN

PLANTATION HOUSING PROJECT

PLINTH AREA - 550 Sq.ft

DRAWING No
UNH/IHP/PH II/ 001

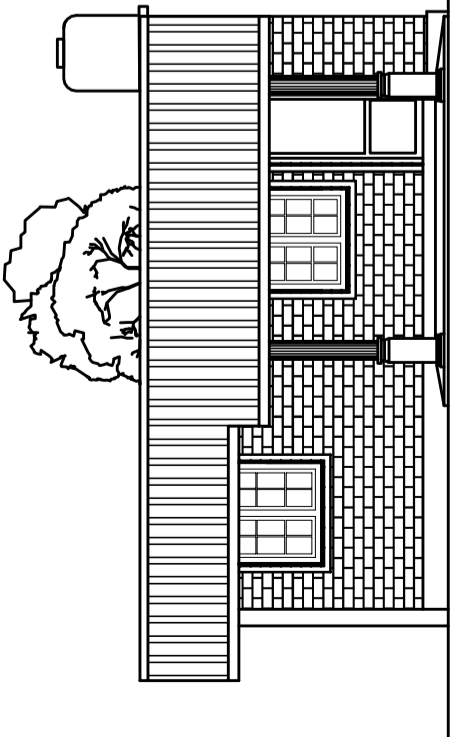
DATE
01.03.2016

DESIGNED BY :-

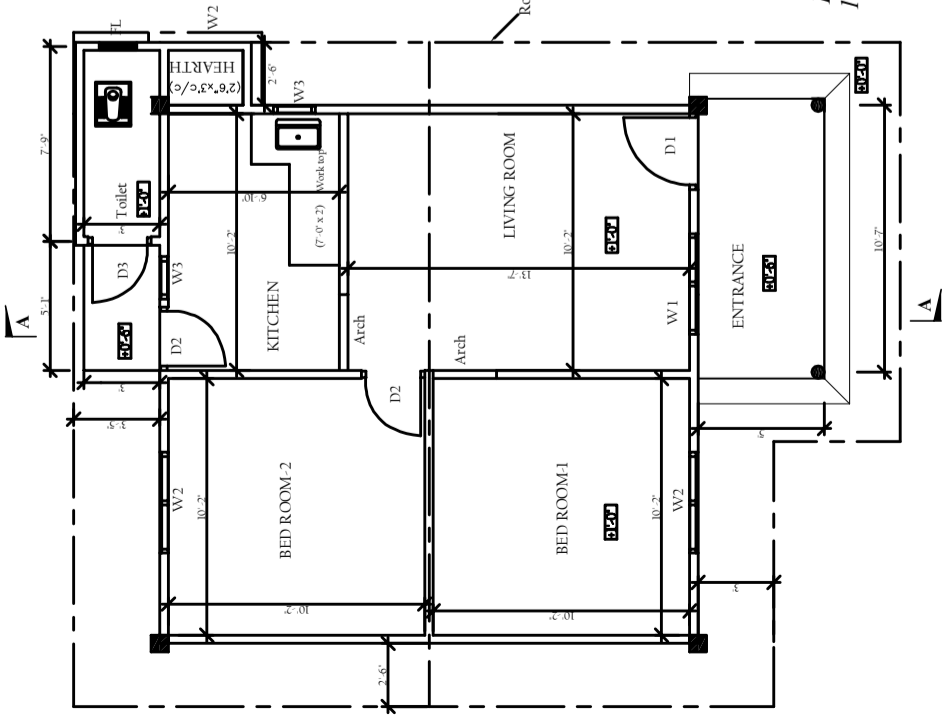
PHDT/UNHABAT

Annexure 02

SCHEDULE OF DOORS & WINDOWS		
TYPE	SIZE	NOS
D1	3'0" X 7'0"	01
D2	2'6" X 7'0"	02
D3	2'3" X 6'0"	01
W1	4'0" X 5'0"	01
W2	4'0" X 4'0"	03
W3	1'0" X 4'0"	02
FL	1'6" X 1'6"	01

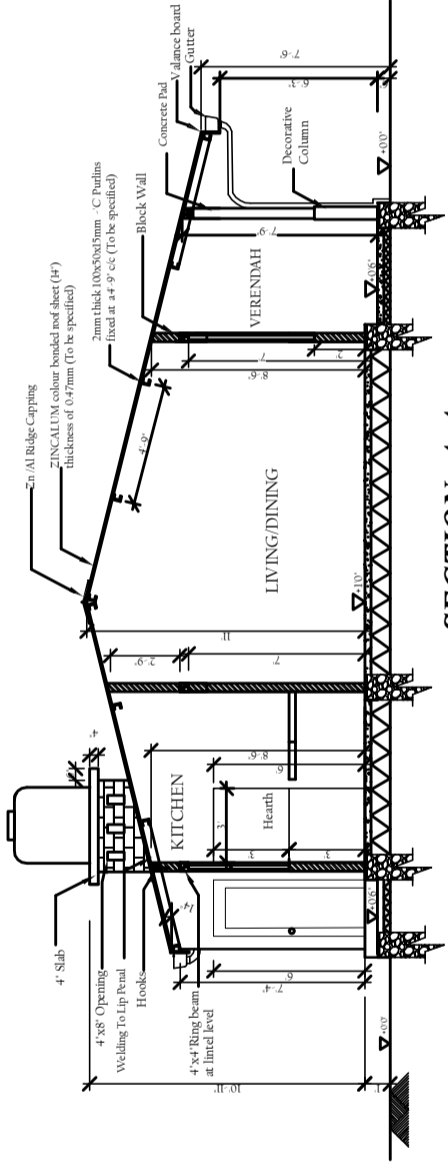


FRONT ELEVATION

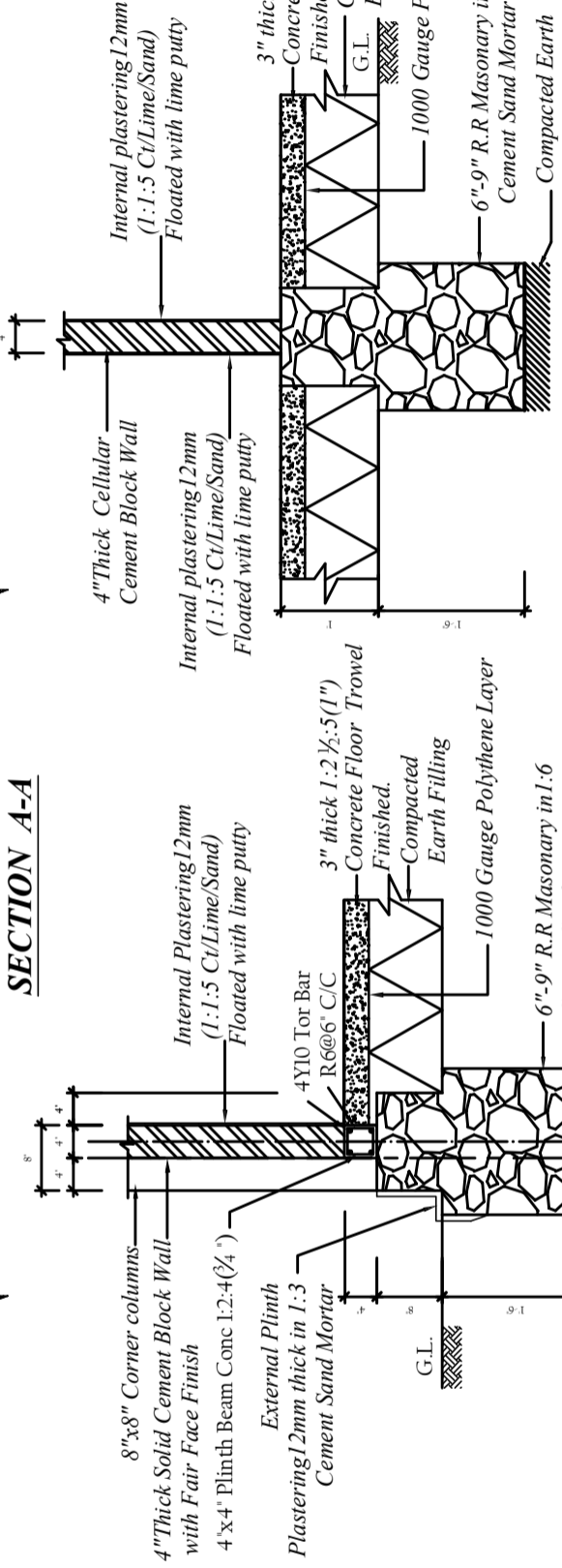


GROUND FLOOR PLAN

Scale :- 8' - 0" to an Inch

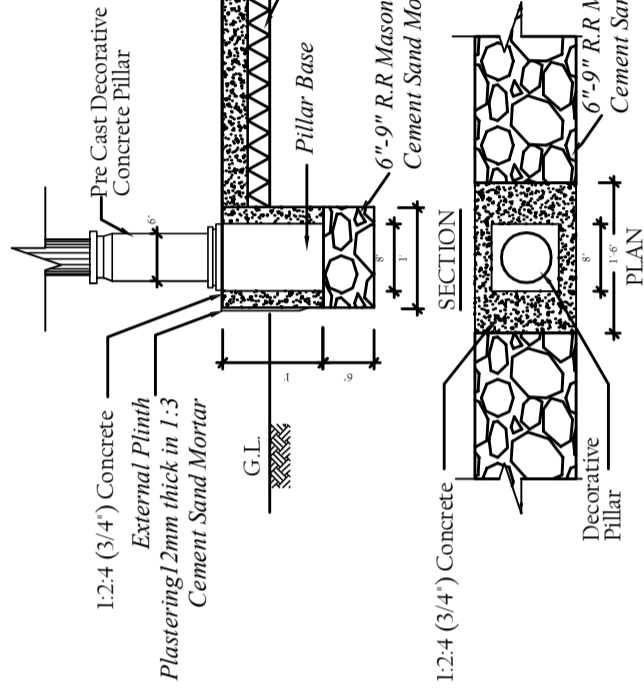


SECTION A-A



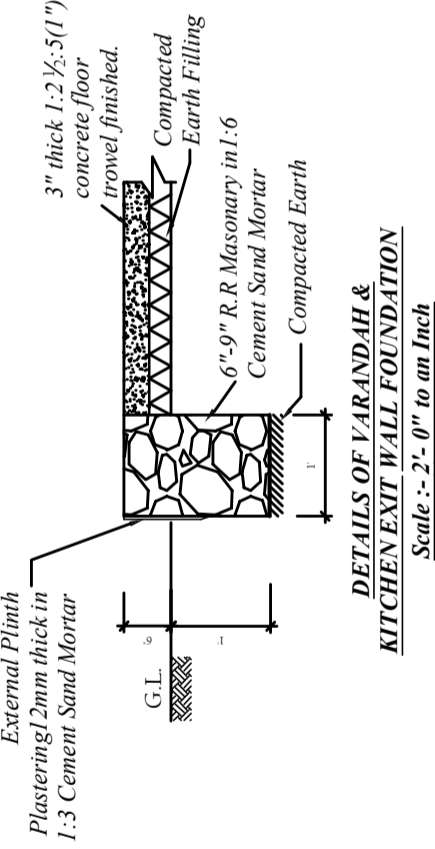
DETAILS OF INTERNAL WALL FOUNDATION

Scale :- 2'- 0" to an Inch



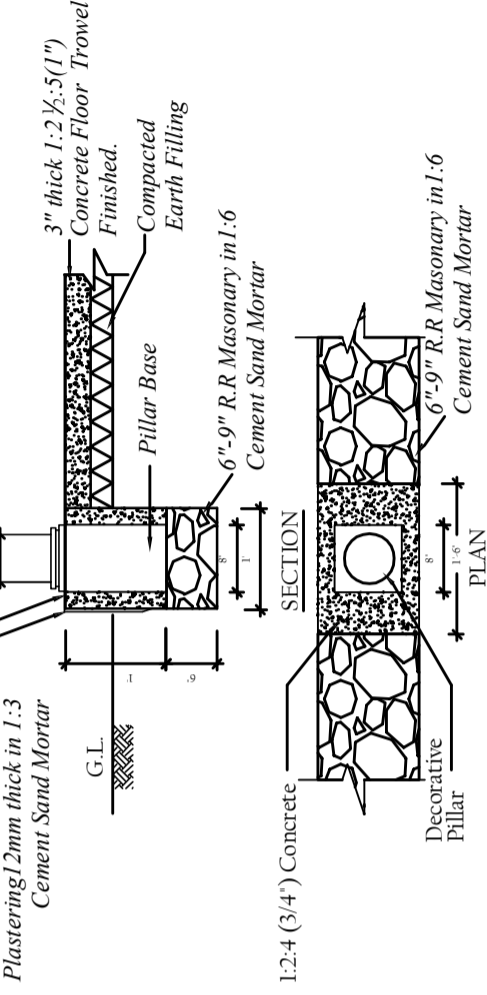
DETAILS OF EXTERNAL WALL FOUNDATION

Scale :- 2'- 0" to an Inch



DETAILS OF VARANDAH & KITCHEN EXIT WALL FOUNDATION

Scale :- 2'- 0" to an Inch



SECTION

PLAN

COLUMN FOOTING DETAIL

Scale :- 2'- 0" to an Inch

DATE
01.03.2016

TYPE PLAN PH-I : PROPOSED HOUSE PLAN

DESIGNED BY :-

PLANTATION HOUSING PROJECT

DRAWING No
UNH/IHP/PH I/001

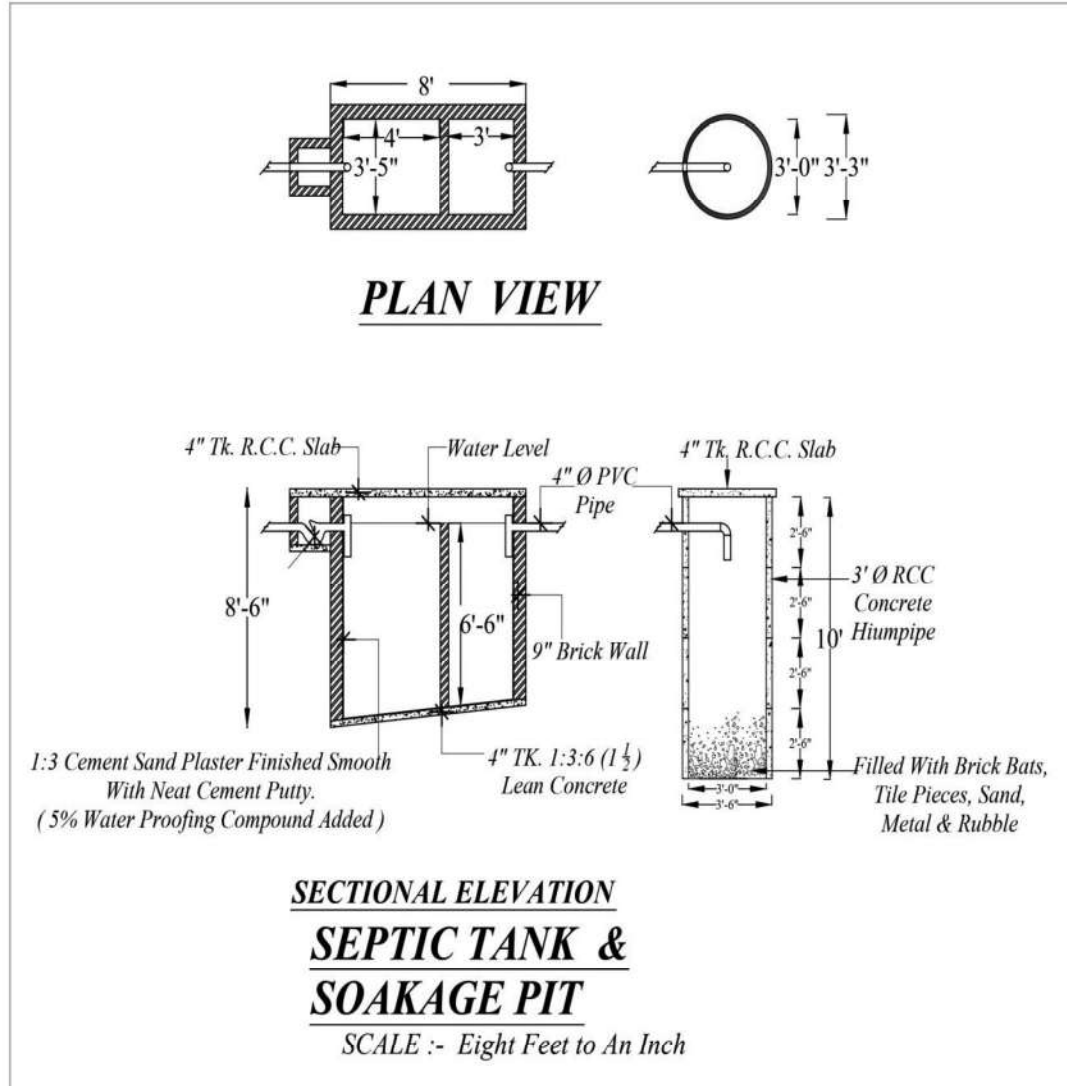
PLINTH AREA - 550 Sq.ft

PHDT/UNHABITAT





ANNEXURE 6A: DOUBLE PIT TOILET DESIGN



relations 75